

VCE OUTDOOR PRODUCT LINE

- PEDESTAL PARK BENCHES
- PEDESTAL GRILLS
- CAMPFIRE RINGS
- PICNIC TABLES
- BICYCLE RACKS
- BEAR/WILDLIFE-RESISTANT
FOOD LOCKERS & TRASH
RECEPTACLES
- LIVE BEAR TRAPS



Virginia
Correctional
Enterprises



www.GoVCE.net (800) 823-2823

About Us

Virginia Correctional Enterprises is a self-supporting agency established by the Virginia General Assembly over 85 years ago to employ and train inmates in the Virginia Department of Corrections. VCE's job-training programs help Virginia to post among the lowest reincarceration rates in the country.

VCE products are constructed with pride and established industry certifications and standards, while generating the hard and soft skills for our inmate staff to reenter into society and gain meaningful employment.

VCE job training programs are voluntary and inmates apply and interview to be accepted. The job skills and experience gained from VCE programs provides inmates a greater chance of finding a job after release.

Preparing for a Successful Reentry

Virginia Correctional Enterprises provides work experience that mirrors private-sector business environments.

Soft Skills

On-the-job training and workshops teach inmates how to excel at communication, teamwork, time management, accountability, lean practices and responsibility.

Technical Skills

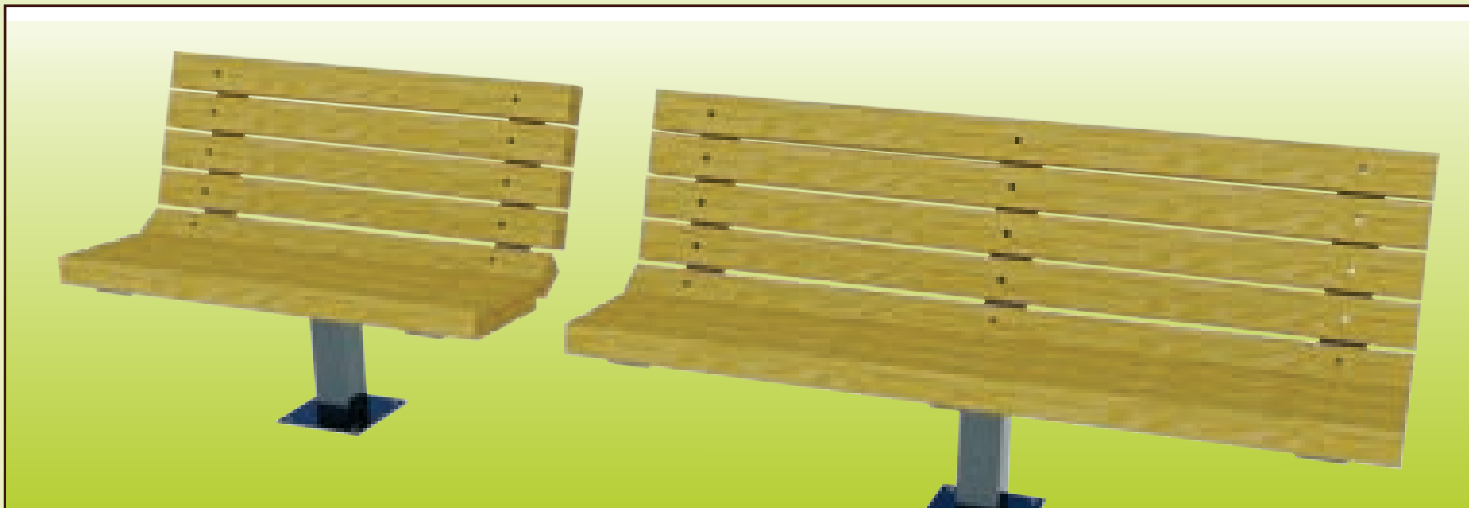
Inmates learn specialized skills for modern industries, from equipment operations to AutoCAD to maintenance solutions.

Apprenticeships & Industry/Vendor Certifications

The job skills and experience gained from VCE programs enable inmates a greater chance of finding a job after release. These opportunities include registered apprenticeship programs, such as Warehouse Logistics and Materials Handler, and industry/vendor certification programs, such as the Sherwin Williams Protective Coating Applicator Program.



PEDESTAL PARK BENCHES



**NEW
PRODUCT**

4 Ft Post Park Bench
8296 00 4PST

4 Ft Pedestal Park Bench
8296 00 4PED

6 Ft Post Park Bench
8296 00 6PST

6 Ft Pedestal Park Bench
8296 00 6PED

Key Features:

Our new pedestal park benches are offered in 48" and 72" sizes. Both sizes are offered as a surface mounted pedestal configuration (*shown above*) or an embedded mounted pedestal configuration. The frames of our pedestal park benches are professionally finished with an electrostatically applied, heat sealed epoxy powder coat that gives our products long lasting protection from the outdoor elements. Both size benches use eight 3" x 4" timbers.

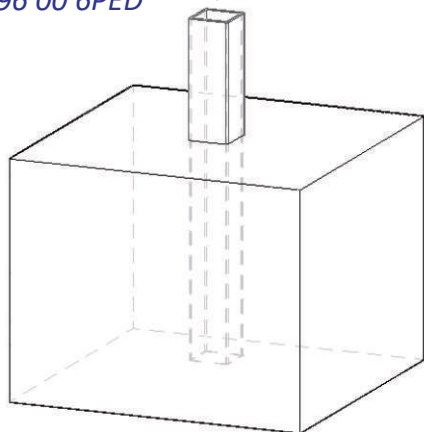
Footing Information:

SURFACE MOUNTED PEDESTAL CONFIGURATION

Utilizes a 12" x 3.5" x 3.5" square tubing post and a 10.5" x 10.5" x 0.25" mounting plate. Wedge anchors (0.75" x 4.25") should be used to anchor the bench to the concrete pad. Be sure there is a minimum of 5 anchor diameters spacing from the wedge anchor to the edge of the concrete pad. (This will be 3.75" distance if using a 0.75" dia. anchor).

EMBEDDED PEDESTAL CONFIGURATION

Utilizes a 33.75" x 3.5" x 3.5" square tubing post. The post should be embedded 21.75" below the surface of the concrete leaving 12" exposed above the surface. The concrete pad should be a minimum size of 30" x 30" x 24"D and local codes should be checked before installing. (Some soil conditions may require a larger footing).





PEDESTAL GRILLS

We manufacture two sizes of outdoor pedestal grills that are both offered in a surface mounted pedestal configuration or an embedded mounted pedestal configuration. They are manufactured from heavy-duty materials and professionally finished with a high temperature paint that gives our products long lasting protection from the fire's heat as well as the outdoor elements. The cooking surfaces are finished with a cooking oil application.

DOUBLE PEDESTAL GRILL

Grill box= 32.5"W x 12"H x 34"D
Overall height= 45" from the ground to top of the box
Cooking surface= over 750 square inches
Pedestal post= 6" diameter post

The grill box is made from 7-gauge steel and features a theft-proof swivel base and small holes in the bottom to drain water from the grill box when not in use.

The dual cooking grates can be easily adjusted to any level height (within an 8" range) using handles that sit outside of the grill box. The dual grates ride along a pair of uniquely designed 3/4" diameter "P"-shaped rods that are welded to the inside of the grill box. Each grate can be moved beyond level along these rods so that the grill box can be cleaned or refilled with charcoal.



Surface Mount
8287 04 0PED

Embed Mounted
8287 04 0000



Surface Mount
8286 04 0PED

Embed Mounted
8286 04 0000

SINGLE PEDESTAL GRILL

Grill box= 22"W x 12"H x 15"D
Overall height= 48" from the ground to top of the box
Cooking surface= over 300 square inches
Pedestal post= 3.5" diameter post

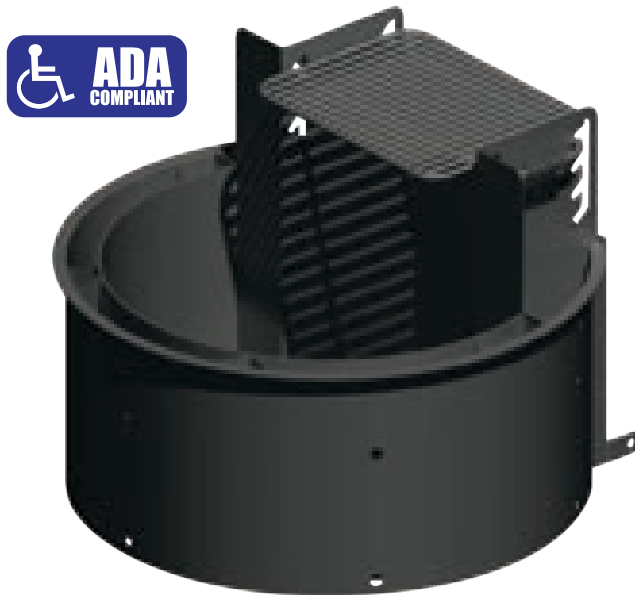
The cooking grate can be easily adjusted to four different heights using handles that sit outside of the grill box.

The grill box is made from 7-gauge steel and features a hot coal lip on the front and small holes in the bottom to drain water from the grill box when not in use. Grill boxes also feature a theft-proof swivel base.

Specialty Sales – vcspecialtsales@vadoc.virginia.gov

CAMPFIRE RINGS

We manufacture two versions of our campfire rings, a standard 32" diameter unit and a 37.5" diameter ADA unit. Both include vertically adjustable cooking grates. They are manufactured from heavy-duty materials and professionally finished with a high temperature paint that gives our products long lasting protection from the fire's heat as well as the outdoor elements. The cooking surfaces are finished with a cooking oil application. Both versions can be anchored into the ground with our custom anchor rods.



order #
8291 04 0000

ADA 32" CAMPFIRE RING

Inner ring= 32" diameter x 17.313"H

Outer ring= 37.5" diameter x 17.313"H

Overall height= 28"H

Cooking grate= Approx. 300 square inches of cooking surface.

The cooking grate can be easily adjusted to four different heights using shielded handles that sit outside of the grate box.

Utilizes an inner and outer fire ring for burn safety and ADA compliance.

order #
70SP 15 0025

STANDARD 32" CAMPFIRE RING

Ring= 32" diameter x 9"H

Overall height= 14.25"H

Cooking Grate= Over 200 square inches of cooking surface.

The cooking grill can be easily adjusted to any level height (within a 7.5" range) using shielded handles that are easily accessible. It rides along a pair of uniquely designed 3/4" diameter "P"-shaped rods that are welded to the inside of the fire ring. The cooking grate can be moved beyond level along these rods so that the fire ring can be cleared out, refilled with fresh logs or just moved out of the way altogether.



PICNIC TABLES



Picnic Table Sizes:

6 ft. Table: 72" x 64.5" x 29.75" High

8 ft. Table: 96" x 64.5" x 29.75" High

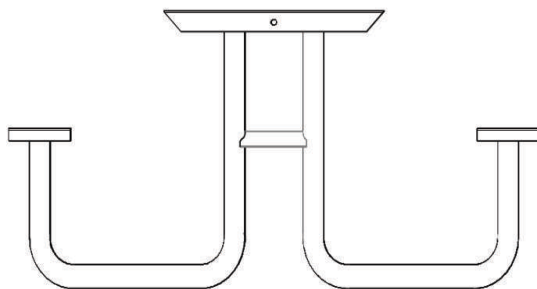
8ft. ADA Table: 96" x 64.5" x 29.75" High (*shown*)

6 ft Table
8292 00 0002

8 ft Table
8292 00 0000

6 ft Table (no lumber)
8292 00 0003

8 ft ADA Table
8292 00 0001



Assembled Frame

Key Features:

Our picnic tables are offered in three styles. The ADA table has extra room on one end that is wheel chair accessible. The ADA frame is designed not to tip/flip over if weight should be applied to the accessible end of the table.

The table frames are galvanized for long lasting protection from the outdoor elements. All of the tubing used on the frames is 2.375" diameter. All other frame components are fabricated from 7 gauge steel for a sturdy and rugged construction.

These tables are designed to accommodate 9.25" x 1.5" boards.

Specialty Sales – vcspecialtysales@vadoc.virginia.gov



BIKE RACKS



Key Features:

Our bike racks are offered in two convenient sizes. The 10 foot rack can park up to 16 bicycles and the 6 foot rack can park up to 10 bicycles.

These bike racks are galvanized for long lasting protection from the outdoor elements. All of the tubing used on the frames is 1.500" diameter. All uprights are .75" dia. steel rods.



10 ft
8289 00 0000

6 ft
8289 00 0001

BEAR/WILDLIFE-RESISTANT



Small
8293 00 00SM

Large
8293 00 00LG

Extra Large
8293 00 00XLG

Food Storage Locker Sizes:

Small: 32"W x 32"H x 26"D (approx. 15 ½ cubic feet of space)

Large: 48"W x 32"H x 26"D (23 cubic feet of space)

Extra Large: 60"W x 32"H x 32"D (approx. 35 ½ cubic feet of space)

*ADA heights are available (Minimum 15" shelf height)

Our bear/wildlife-resistant food storage lockers are offered in three sizes. All three sizes are welded to bases that stand 9" off the ground and can be anchored into an existing concrete pad. These food lockers and bases are professionally finished with an electrostatically applied, heat sealed epoxy powder coat that gives our products long lasting protection from the outdoor elements.

Key Features:

Minimalist design is bear/wildlife-resistant and has no protruding edges or wide seams for claws to penetrate and pry open.

All three sizes feature a full-length water shield that helps keep the weather out and the contents of the lockers dry.

Doors and tops are reinforced with stiffeners to keep them from crushing.

Paddle-style latch handles are hidden under uniquely designed latch covers that prevent bears and other wildlife from unlatching the locker doors.

Specialty Sales – vcspecialtyales@vadoc.virginia.gov



BEAR/WILDLIFE-RESISTANT



Animal Resistant Trash Receptacle Styles:

Single: 48”H x 24”W x 24”D
(with base: 24”W x 45”D)

Double: 48”H x 49.5”W x 24”D
(with base: 49.5”W x 45”D footprint)

Recycle: 48”H x 24”W x 24”D
(with base: 24”W x 45”D footprint)

Single Can
8293 00 0000

Recycle Can
8293 00 0001

Double Can
8293 00 0000 DBLE

Our bear/wildlife-resistant trash receptacles are offered in three styles. These trash receptacles are professionally finished with an electrostatically applied, heat sealed epoxy powder coat that gives our products long lasting protection from the outdoor elements.

Key Features:

All styles are ADA compliant.

Has a sleek design that is bear/wildlife-resistant and has no protruding edges or wide seams for claws to penetrate and pry open.

Paddle-style latch handles are hidden under uniquely designed latch covers that prevent bears and other wild life from unlatching the receptacle doors.

Each trash receptacle has two doors. A maintenance door for emptying/replacing inside trash bags, and a smaller top door where individuals dispose of their trash and recyclable items.

Each receptacle unit has a lightweight metal bag holder frame bolted to the inside.

**NEW
PRODUCT
RECYCLE CAN**





LIVE BEAR TRAPS

Our live bear traps are designed and intended to be a humane way of trapping and transporting nuisance animal(s) from unwanted areas. To protect the animal(s) from injury, carriage bolts are installed everywhere the bolt heads are exposed inside the trap's box. Our line of bear trap boxes are professionally finished with an electrostatically applied, heat sealed epoxy powder coat that gives our products long lasting protection from the outdoor elements.

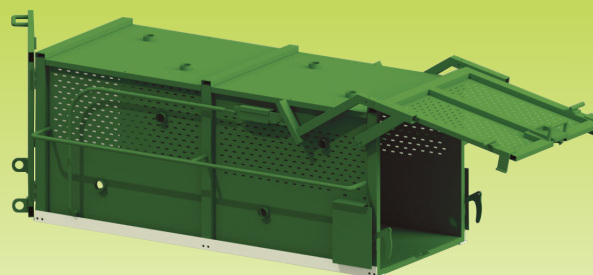
LARGE BEAR TRAP WITH TRAILER



order #
70SP 20 0108

Trap Box: 98"W x 48"H x 50"D
Front & Trap Door: 50"W x 48"H
35" x 1/2" dia. vertical lock rod

SMALL BEAR TRAP



order #
70SP 20 0131

Trap Box: 72"W x 30"H x 28"D
Front & Trap Door: 26" W x 28"H
25" x 1/2" dia. vertical lock rod

TRAP DOOR

This door can be set open using the trigger bar and counterweights or can be propped open securely with a built-in safety bar that allows for easy access to the inside of the trap. Once triggered, the trap door will swing down and latch closed. Our design features a single center paddle latch that acts as an anti-bounce measure to keep the door shut as two 1/4" thick steel latches swing into place safely securing the door into its closed position. To add another level of security, two small lock plates are supplied to fit onto the trap door's latching mechanism for a pad lock to be applied. (*Padlock(s) not included*).

TRAP BOX

The trap's box is reinforced by 14-gauge (small) or 12-gauge (large) panels and a 2" x 1" steel tubing frame. The small trap is designed to be loaded into a small truck bed or onto a flatbed trailer.

Trigger bar cable is hidden inside 3/4" conduit to help reduce accidental triggerings. Trap door latches are also hidden by covers to reduce the chance of an accidental triggering.

Eight 2" jab holes are mounted into the sides of the trap along with two 6" x 6" access doors (one on each side) to aid in the maneuvering of the trapped animal(s).

TRAILER

2" x 2" x 1/4" angle iron frame. Includes 28" diameter wheels, 1-7/8" ball coupler, front A-frame jack, rear and side lights, safety chains, and adjustable stabilizer legs. Conduit (3/4") is mounted under the frame to hide/protect the wiring harness.

Specialty Sales – vcspecialtysales@vadoc.virginia.gov

Customer Service

1-800-823-2823

vcecustsrv@vadoc.virginia.gov



VIRGINIA
CORRECTIONAL
ENTERPRISES

Customer Contacts

Furniture

June Duvall - Eastern Region Sales

- 804-759-8421
- June.Duvall@vadoc.virginia.gov

Karl Schnurr - Northern Region Sales

- 703-995-9772
- Karl.Schnurr@vadoc.virginia.gov

Chris Cash - Central Region Sales

- 804-887-5472
- Christopher.Cash@vadoc.virginia.gov

Kevin May - Western Region Sales

- 540-265-3150
- Kevin.May@vadoc.virginia.gov

Robert Tilkey - Sales Manager

- 804-743-4107
- Robert.Tilkey@vadoc.virginia.gov

Barbara Miner - Design Manager

- 804-887-3994
- Barbara.Miner@vadoc.virginia.gov

Creating Quality Products and Promising Futures

Other Services

Ruth Pollard - Offset & Digital Print

- 804-385-3548
- Ruth.Pollard@vadoc.virginia.gov

Vehicle Conversions/Drug Testing Kits/Ink &
Toner/Janitorial Supplies/Signs & Banners

- vcespecialtsales@vadoc.virginia.gov

John "Josh" Petrie - Apparel/Silk Screen &
Embroidery

- 804-743-4129
- John.Petrie@vadoc.virginia.gov

Carla Wilkins - Apparel/Silk Screen & Embroidery

- 804-743-4142
- Carla.Wilkins@vadoc.virginia.gov



VIRGINIA
CORRECTIONAL ENTERPRISES



Virginia
Correctional
Enterprises



www.GoVCE.net
8030 White Bark Terrace | North Chesterfield, VA 23237
Customer Service
(800) 823-2823

vcecustsrv@vadoc.virginia.gov

Printed by Virginia Correctional Enterprises Digital Print Facility